

2QD0108T17-C-xx Gate Driver Core



Features

- Dual-channel IGBT gate driver core
- Blocking voltage up to 1700V
- Peak current $\pm 8A$, 1W output power per channel
- Up to 6000V isolation voltage
- Direct/half-bridge mode available
- Primary/secondary side undervoltage lockout
- IGBT short-circuit protection integrated
- Soft shut down integrated

RoHS
COMPLIANT

KEY PARAMETERS	
V _{CC}	15V
V _G	+15V, -9.5V
P, MAX	1W
I _G , MAX	$\pm 8A$
f _s , MAX	50kHz
T _A	-40°C ~85°C
Isolation Voltage	6000Vac

Description

2QD0108T17-C-xx is a medium power, dual-channel compact gate driver core designed for high reliability applications based on the ASIC chipset developed by Bronze Technologies.

2QD0108T17-C-xx can be used for IGBT modules with a blocking voltage up to 1700V. It can be applied to various topologies by adding proper peripheral circuitry.

Typical Applications

- Energy storage converters
- PV inverters
- Motor Drives
- SMPS
- Induction Heating

Block Diagram

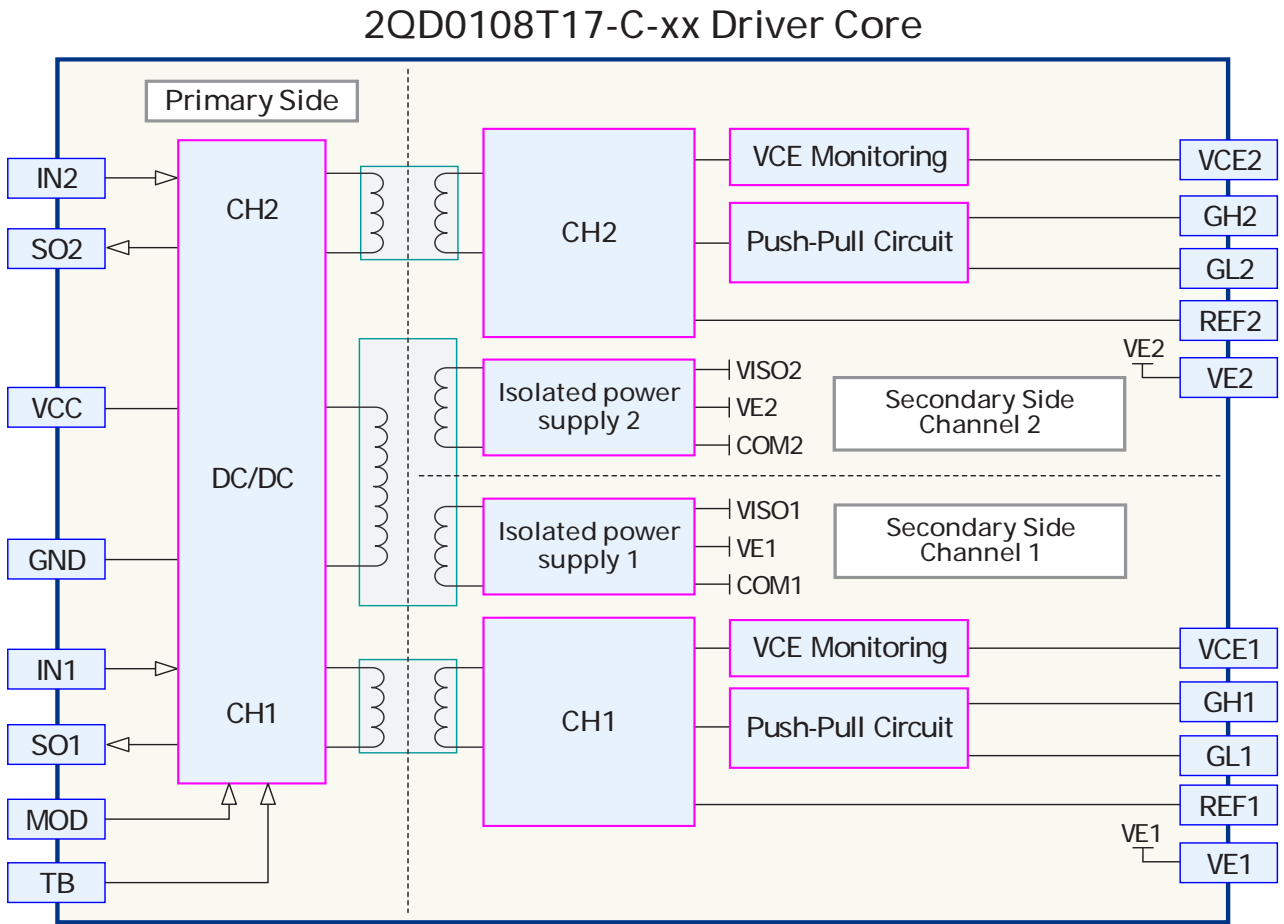


Figure 1. Block diagram of 2QD0108T17-C-xx

Recommended Circuitry

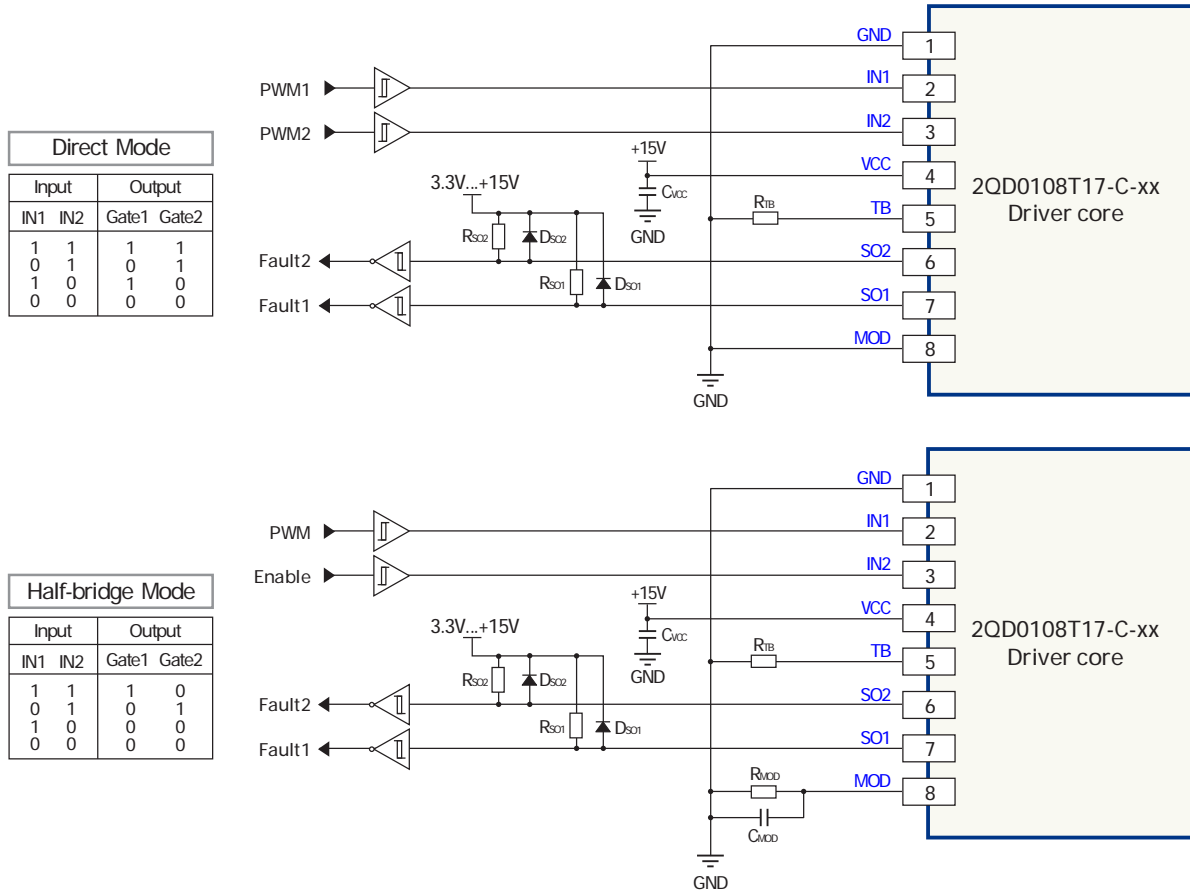


Figure 2. Recommended user interface of 2QD0108T17-C-xx (Primary side)

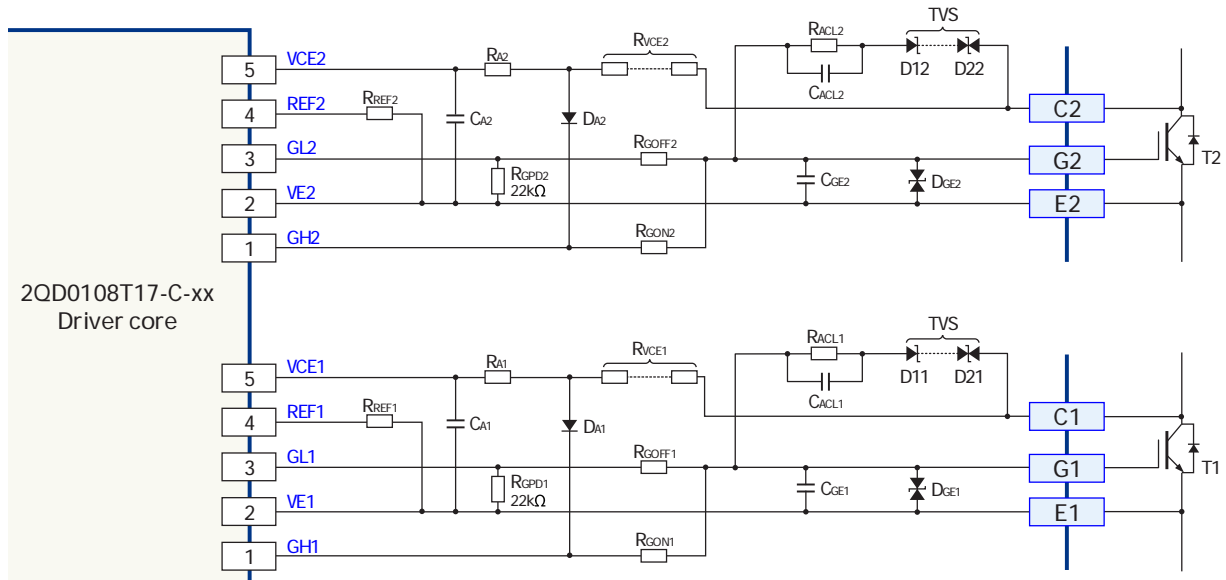


Figure 3. Recommended user interface of 2QD0108T17-C-xx (Secondary side)

Pin Designation

P1 Terminal

Pin	Symbol	Description
1	GH1	Gate high channel 1, gate ON output ¹⁾
2	VE1	Emitter channel 1 ²⁾
3	GL1	Gate low channel 1, gate OFF output ³⁾
4	REF1	Set V_{CE} detection threshold voltage channel 1 ⁴⁾
5	VCE1	V_{CE} sense channel 1 ⁵⁾

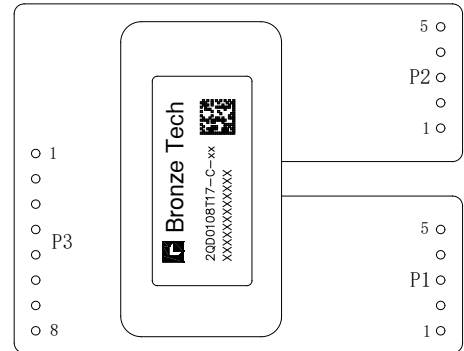


Figure 4. 2QD0108T17-C-xx Pin Layout

P2 Terminal

Pin	Symbol	Description
1	GH2	Gate high channel 2, gate ON output ¹⁾
2	VE2	Emitter channel 2 ²⁾
3	GL2	Gate low channel 2, gate OFF output ³⁾
4	REF2	Set V_{CE} detection threshold voltage channel 2 ⁴⁾
5	VCE2	V_{CE} sense channel 2 ⁵⁾

Note: 1) Gate high pin is connected to the external turn-on resistor R_{GONx} . It is pulled to V_{ISOx} for ON state and becomes high impedance for OFF state.

2) Connecting to blocking capacitor and emitter of the power device.

3) Gate low pin is connected to the external turn-off resistor R_{GOFFx} . It is pulled to $COMx$ for OFF state and becomes high impedance for ON state.

4) Threshold voltage setting pin for the internal desaturation detection comparator of the driver. For details, see the section "IGBT Short-Circuit Protection".

5) The desaturation detection pin of the driver. For details, see the section "IGBT Short-Circuit Protection".

P3 Terminal

Pin	Symbol	Description	Pin	Symbol	Description
1	GND	Ground	5	TB	Set blocking time
2	IN1	Signal input channel 1	6	SO2	Status output channel 2
3	IN2	Signal input channel 2	7	SO1	Status output channel 1
4	VCC	Supply voltage +15V ¹⁾	8	MOD	Mode selection (direct/half-bridge mode)

Note: 1) A stable 15V DC power supply is recommended. Be sure to have enough blocking capacitors to avoid voltage dips.

Specifications

Absolute Maximum Ratings

PARAMETER	REMARKS	MIN	MAX	UNIT
Supply voltage V _{CC}	VCC to GND	0	15.5	V
Logic input and output voltages	Primary side, to GND	0	VCC	
SO _x current	Failure condition, total current		20	mA
Output power per channel	Operating temperature ≤ 85°C		1	W
Gate peak current ¹⁾		-8	8	A
External gate resistance	turn on and turn off	2		Ω
IGBT gate charge			6.3	μC
Operating voltage			1700	V
Average supply current ²⁾			360	mA
Switching frequency			50	kHz
Operating temperature T _A		-40	85	°C
Storage temperature T _S		-40	85	

Note: 1. It is an absolute value and only valid for short pulses.

2. The average current may exceed the specified maximum value during transient (e.g. power supply start up). This short overload is allowed as long as the temperature rise after the transient does not exceed the thermal limitation.

Power supply and monitoring

Operating temperature T_A=25°C, V_{CC}=15V, unless otherwise specified, tested along with the standard peripheral circuitry.

PARAMETER		TEST CONDITIONS	MIN	TYP	MAX	UNIT
Supply voltage V _{CC}		VCC to GND	14.5	15	15.5	V
Quiescent current I _{CCQ}		No load, f _{SW} =0Hz		30		mA
Supply current I _{CC}	R _{GON} =2.5Ω, R _{GOFF} =2.5Ω	No load, f _{SW} =5kHz, 50% duty cycle		42		
		No load, f _{SW} =10kHz, 50% duty cycle		46		
		Load capacitance 100nF, f _{SW} =10kHz, 50% duty cycle		135		
Secondary-side full voltage V _{CCO}		VISO _x to COM _x , no load	22.5	24.5	26.5	V
Secondary-side positive voltage V ₊		VISO _x to VEx	14	15	16	
Secondary-side negative voltage V ₋		COM _x to VEx, no load	-10.5	-9.5	-8.5	
Primary side supply UVLO threshold Voltage ¹⁾	Set fault V _{CCUV+}	VCC-GND		12.2		V
	Clear fault V _{CCUVR+}			13.2		
	Monitoring hysteresis			1		
Secondary side positive supply UVLO threshold voltage ¹⁾	Set fault V _{UV+}	VISO _x -VEx		12		
	Clear fault V _{UVR+}			12.4		
	Monitoring hysteresis			0.4		

(Continued)

Secondary side negative supply UVLO threshold voltage ¹⁾	Set fault V_{UV-}	VEx-COMx	4.4	V
	Clear fault V_{UVR-}		4.5	
	Monitoring hysteresis		0.1	
Note: 1. See the section "Power Supply and Monitoring" for timing diagram of the UVLO.				

Logic Input and Output

 Operating temperature $T_A=25^{\circ}\text{C}$, $V_{CC}=15\text{V}$, unless otherwise specified, tested along with the standard peripheral circuitry.

PARAMETER		TEST CONDITIONS	MIN	TYP	MAX	UNIT
Input bias current I_{IN}		$V_{IN} > 3\text{V}$		180		μA
IN1, IN2 Input voltage V_{IN}	Turn-on threshold V_{INH}		2.4	2.6	2.8	V
	Turn-off threshold V_{INL}		1.3	1.5	1.7	
Mode selection resistor ¹⁾	Direct mode	MOD shorted to GND		0		k Ω
	Half-bridge mode	MOD connected to GND via a resistor	72	150	182	
Blocking time setting resistor R_{TB} ²⁾			75		185	
SO output voltage V_{SO} ³⁾	Normal state	$R_{SOx}=4.7\text{k}\Omega$ pulled up to VCC		15		V
	Blocking state	$I_{SOx} < 20\text{mA}$			0.7	
Note: 1. Mode selection and dead time configuration resistor. For details, see the section "Transmission Logic and Mode Selection". 2. The Blocking time configuration resistor. For details, see the section "Setting Blocking Time". 3. SOx outputs have open-drain transistors, users need to add the pull-up resistor R_{SOx} externally. For more details see the section "Status Output Signal".						

Gate Drive Output

 Operating temperature $T_A=25^{\circ}\text{C}$, $V_{CC}=15\text{V}$, unless otherwise specified, tested along with the standard peripheral circuitry.

PARAMETER		TEST CONDITIONS	MIN	TYP	MAX	UNIT
Gate output voltage	ON-State, V_{GHx} , GHx to VEx	Any load condition		15		V
	OFF-State, V_{GLx} , GLx to VEx	No load		-9.5		
		Output power 1W			-8.9	
Gate peak current $I_{G\text{peak}}$	Source current	$R_{GON}=2.5\Omega$, $R_{GOFF}=2.5\Omega$, load capacitance 100nF			8	A
	Sink current			-8		
Blocking capacitance for V+		VISOx to VEx		9.4		μF
Blocking capacitance for V-		COMx to VEx		9.4		

Short Circuit Protection

Operating temperature $T_A=25^{\circ}\text{C}$, $V_{CC}=15\text{V}$, unless otherwise specified, tested along with the standard peripheral circuitry.

PARAMETER	TEST CONDITIONS	MIN	TYP	MAX	UNIT
Current through pin REFx (internal current source)	$R_{REF}<70\text{k}\Omega$		150		μA
Blocking time t_B ¹⁾	$R_{TB}=150\text{k}\Omega$		95		ms
	TB shorted to ground		10		μs
Transmission delay of fault state t_{SO} ²⁾	Secondary-side short-circuit protection action to fault status output		600		ns
Soft shut down t_{SOFT} ³⁾	V_G drops to 0V		2		μs

Note: 1. For other blocking time configurations, see the section "Setting Blocking Time".

2. Propagation delay time is from the secondary-side protection action to the primary-side SOx pin pulled down.

3. See the section "Soft Shut Down".

Timing Characteristics

Operating temperature $T_A=25^{\circ}\text{C}$, $V_{CC}=15\text{V}$, unless otherwise specified, tested along with the standard peripheral circuitry.

PARAMETER	TEST CONDITIONS	MIN	TYP	MAX	UNIT
Propagation delay ^{1) 3)}	Turn-on delay $t_{d(on)}$		200		ns
	Turn-off delay $t_{d(off)}$	$R_{GON}=2.5\Omega$, $R_{GOFF}=2.5\Omega$, no load	200		
Jitter of turn-on delay	$R_{ON}=2.5\Omega$, $R_{GOFF}=2.5\Omega$, no load		± 8		
Jitter of turn-off delay		± 8			
Output rise time t_r ^{2) 3)}		60			
Output fall time t_f ^{2) 3)}		15			
Dead time DT ⁴⁾	Half-bridge mode, $R_{MOD}=150\text{k}\Omega$		3.2		μs
Jitter of dead time		± 10		ns	

Note: 1. The delay time is measured between 50% of the input signal and 10% (90%) voltage swing of V_{GHx} (V_{GLx}). The delay time is independent of the output load.

2. Output rise (fall) time is measured at GH (GL) at the driver side of the gate resistor R_{GONx} (R_{GOFFx}) between the 10% and 90% of the nominal voltage swing. The time constant of the output load capacitance in conjunction with the present gate resistors leads to an additional delay at the load side of the gate resistors.

3. The voltage swing is the difference between the output voltage at ON and OFF state on the GH or GL pins, referred to Ex.

4. For dead time configuration see section "Transmission Logic and Mode Selection / Half-Bridge Mode".

Electrical Isolation

Operating temperature $T_A=25^\circ\text{C}$, tested along with the standard peripheral circuitry.

PARAMETER		VALUE	UNIT
Isolation Voltage (50Hz, 1min, RMS value)	Primary to Secondary side	6000	V
	Secondary to Secondary side	4800	
Coupling capacitance	Primary to secondary side ¹⁾	10	pF
Clearance distance	Primary to secondary side ¹⁾	13.2	mm
	Secondary to secondary side ¹⁾	5	
Creepage distance	Primary to secondary side ¹⁾	13.2	
	Secondary to secondary side ¹⁾	8.5	
Note: 1. Clearance and creepage distances are designed according to IEC 61800-5-1.			

EMC

Operating temperature $T_A=25^\circ\text{C}$, tested along with the standard peripheral circuitry.

PARAMETER		VALUE	UNIT
ESD immunity (IEC 61000-4-2)	Contact discharge	± 4	kV
	Air discharge	± 8	
Electrical fast transient/burst immunity ¹⁾ (IEC 61000-4-4)		± 3	
Impulse magnetic field immunity (IEC 61000-4-9)		± 2000	A/m
Note: 1. Tested on power ports.			

Ordering Information

Part Number	IGBT Voltage	Pin Length	Conformal Coating
2QD0108T17-C-A0	< 1700V	3mm	Yes
2QD0108T17-C-A1		5.5mm	Yes

Function Description

Power Supply and Monitoring

The DC/DC converter of the driver provides galvanic isolation between primary side power supply and secondary side gate driving circuitry.

Supply voltage monitoring and undervoltage lockout is deployed for the primary-side and two secondary-sides of the DC/DC converter for undervoltage lockout (UVLO).

Note: A stable primary side supply voltage is required.

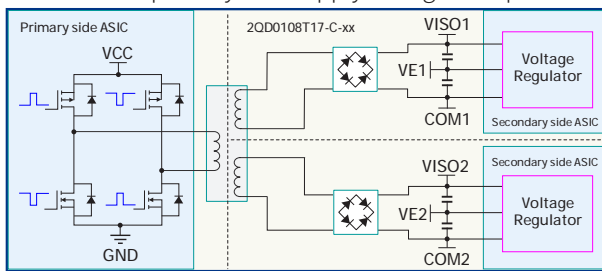


Figure 5. Power supply circuitry

Primary Side Supply Monitoring:

The supply voltage V_{CC} is monitored on the primary-side for undervoltage lockout. When V_{CC} drops to the UVLO set fault threshold V_{CCUV+} , UVLO is triggered, two secondary-side gate drive outputs are locked in off state which keeps the IGBT off. Meanwhile, the fault signals $SO1$ and $SO2$ are pulled down.

When V_{CC} returns to the UVLO clear fault threshold V_{CCUVR+} , the driver continues to maintain the lockout state for a period t_B , then exits the lockout state and pulls up fault signals $SO1$ and $SO2$.

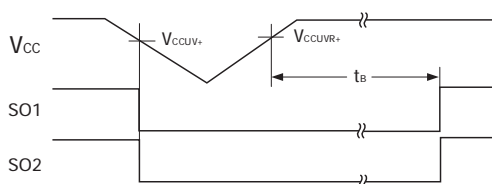


Figure 6. Primary-side UVLO logic

Secondary Side Supply Monitoring:

The secondary power supply voltage is also monitored to ensure a safe IGBT switching. To demonstrate the behavior of the secondary side UVLO, a scenario is considered in below where the primary side supply voltage V_{CC} decreases from the nominal value towards zero:

1) At first the positive voltage $V+$ ($VISO$ to VE) is held constant on the nominal value, while the negative voltage $V-$ (COM to VE) deviates from the nominal value towards zero along with the decreasing V_{CC} .

2) As soon as $V-$ reaches $-5V$, $V-$ is held constant and $V+$ starts to fall towards zero if V_{CC} further collapses.

3) When $V+$ reaches the set fault threshold V_{UV+} , UVLO protection is initiated. The IGBT is turned off and held in off state, meanwhile a set fault signal is transmitted to the primary side and asserts SOx pin immediately.

4) The counting of t_B starts when a UV fault is detected. This is different from the primary side supply voltage monitoring, where the counting of t_B starts after UV fault is cleared. If a new fault is detected before t_B of the previous fault elapses, t_B is recounted from the new fault.

5) When V_{CC} rises again, the driver firstly restores $V+$.

6) If $V+$ further increases and reaches its nominal value, $V+$ is held constant and $V-$ starts to recover towards its nominal value.

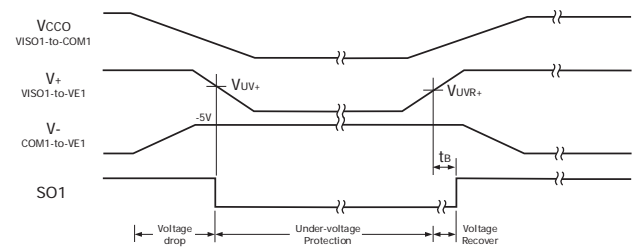


Figure 7. Secondary-side UVLO logic

Transmission Logic and Mode Selection

The driver can operate in direct or half-bridge mode. Operating mode of the driver can be configured by the MOD pin connection.

Direct Mode:

If the MOD pin is shorted to ground, direct mode is selected and the two channels are independent. Input $IN1$ corresponds to Channel 1, while input $IN2$ corresponds to Channel 2. A logic high turns on the corresponding IGBT, while a logic low turns it off.

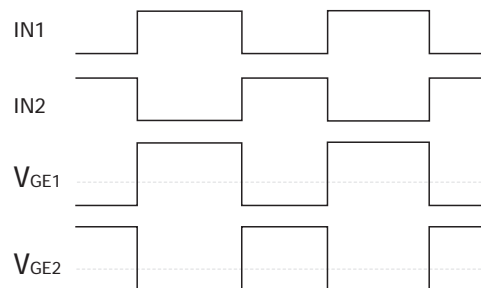


Figure 8. Transmission logic in direct mode

Note: In direct mode, make sure to add a proper dead time in the input signal to avoid shoot-through of the two switches in a bridge.

Half-Bridge Mode:

If the MOD pin is connected to ground via a resistor, the driver operates in half-bridge mode. In this mode, IN1 serves as PWM signal and IN2 as enabling signal.

When IN2 is low, both channels are locked in off state. If IN2 is high, both channels are enabled. The gate output signals of both channels are determined by IN1. At the transition of IN1 from low to high, the gate output of Channel 2 is turned off immediately. After a dead time DT elapses, the gate output of Channel 1 is turned on. At the transition of IN1 from high to low, the gate output of Channel 1 is turned off immediately. After the dead time DT elapses, the gate output of Channel 2 is turned on.

The dead time is set by an external resistor R_{MOD} connected between MOD pin and GND. The following formula defines the relationship between R_{MOD} and the dead time DT:

$$R_{MOD} [k\Omega] = 30 * DT[\mu s] + 53.6$$

$$0.613\mu s < DT < 4.28\mu s, 72k\Omega < R_{MOD} < 182k\Omega$$

When R_{MOD}=150kΩ, the dead time DT is 3.2us.

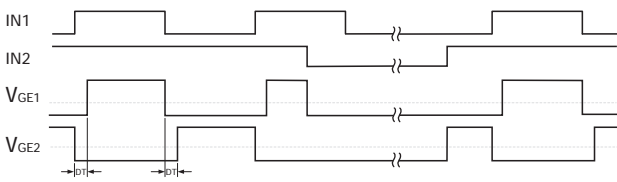


Figure 9. Transmission logic in half-bridge mode

Status Output Signal

When no fault is detected, Q_{SOx} keeps off, the outputs SO_x have high impedance. When a fault is detected, the corresponding SO_x is pulled down to ground.

It is recommended to mount external pull-up resistors as demonstrated in the diagram of recommended user interface of 2QD0108T17-C-xx. There the diodes D_{SOx} are only required when using 3.3V input logic level.

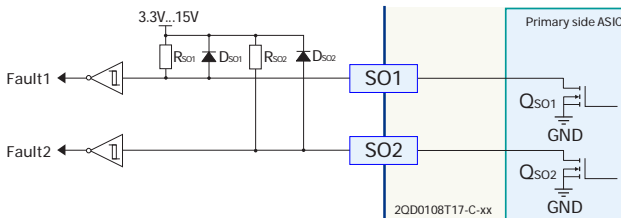


Figure 10. Block diagram and recommended circuit of status signal output

In a fault condition, the maximum SO_x current must not exceed 20mA.

SO1 and SO2 can be connected together to provide protection information of the entire driver. However, for fast

and precise fault diagnosis, it is recommended to detect the information independently.

Setting Blocking Time

The blocking time t_B can be configured by an external resistor R_{TB} between TB pin and GND.

The following formula describes the relationship between t_B and R_{TB} (at typical values)

$$R_{TB}[k\Omega] = t_B[ms] + 55$$

$$(75k\Omega \leq R_{TB} \leq 185k\Omega, 20ms \leq t_B \leq 130ms)$$

Note: otherwise the blocking time t_B will be inaccurate and unstable. If TB pin is shorted to ground, t_B is fixed to 10us.

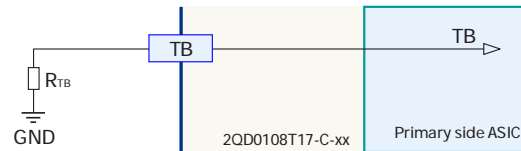


Figure 11. Blocking time setting

IGBT Turn-On and Turn-Off

To turn on the IGBT, Q_{ON} inside the ASIC of the driver is turned on and Q_{OFF} is turned off. The gate resistor R_{GON} is pulled up to charge the gate and the IGBT is turned on.

To turn off the IGBT, Q_{OFF} inside the ASIC of the driver is turned on and Q_{ON} is turned off. The gate resistor R_{GOFF} is pulled to COM_x to discharge the gate and the IGBT is turned off.

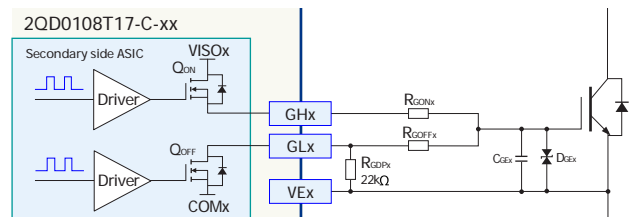


Figure 12. Gate drive output circuitry

Active Clamping

Fast IGBT turn-off may lead to voltage spike, which is critical when DC-link voltage and load current are high. Voltage spikes can cause damage to the IGBT. The turn-off voltage spike is mainly due to the stray inductance L_s and the slew rate of the IGBT turn-off current di/dt. By adjusting the turn-off gate resistor R_{GOFF}, the di/dt can be reduced and the voltage overshoot is reduced. However, the impact of L_s is inevitable. It can be more pronounced under high current in short circuit or overload. It is

recommended to add active clamping circuitry to effectively prevent the overvoltage damage on IGBT.

A feedback path from the IGBT collector to the gate is established using transient voltage suppressor devices(TVS). When the V_{CE} peak voltage exceeds the breakdown threshold, the TVS chain will break through and the current through it will charge the IGBT gate, which turns on the IGBT partially and suppresses the excessive V_{CE} of the IGBT.

Anti-parallel diodes of the IGBT module have forward recovery effect when they are turned on, to avoid negative current flows through the TVS chain, at least one bidirectional TVS must be used for each channel.

The recommended breakdown thresholds for the application circuit of the driver are shown in the table below.

DC Link Voltage	TVS Chain Breakdown Threshold @ 25°C	D1x	D2x
800V	912V	5 x SMBJ130A	1 x SMBJ130CA
1200V	1320V	5 x P6SMB220A	1 x PB6MB220CA

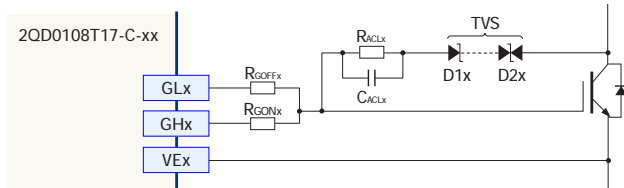


Figure 13. Recommended circuitry for active clamping

IGBT Short-Circuit Protection

The V_{CE} detection circuitry is used for IGBT short-circuit protection. The detection of two channels are independent from each other. The short-circuit detection is only valid when the IGBT is turned on. When the IGBT is in off state, the input signal turns on Q_{CEx} and clamps V_{CEx} to $COMx$. In this case, the comparator outputs logic low.

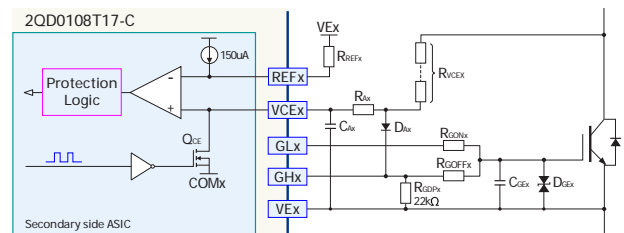


Figure 14. Block diagram and recommended circuitry for short-circuit protection

The threshold of comparator is set by external resistors R_{REFx} connected to $REFx$ pin. Inside $REFx$ pin there a built-in

current source of 150uA, an external resistor R_{REFx} 68kΩ configures a threshold voltage of 10.2V for the short circuit detection.

Normal Turn-On:

When the logic input will turn on the IGBT, Q_{CE} is firstly turned off and releases the clamping of V_{CEx} . At this moment, IGBT is still in off state and V_{CE} is high. C_{Ax} capacitor is charged through the resistor chain composed of R_{VCEx} and R_{Ax} , V_{CEx} rises. Then the IGBT is turned on, V_{CE} quickly drops to saturation voltage V_{CE-SAT} and V_{CEx} reaches V_{CE-SAT} .

The response time is the time interval between turn-on of the IGBT and the collector voltage is started to be measured, within the response time, V_{CE} is deactivated. The response time can be determined by configuring the capacitor C_{Ax} following the table in below ($R_{VCEx}=1.8M\Omega$, $R_{Ax}=120k\Omega$, DC link voltage >550V).

Table 1. Typical response time under different C_{Ax} and R_{REFx}

C_{Ax} [pF]	R_{REFx} [kΩ] / V_{REFx} [V]	Response time [μs]
15	43/6.45	3.2
22	43/6.45	4.2
33	43/6.45	5.8
47	43/6.45	7.8

Be sure to configure a response time that is shorter than the maximum allowed short-circuit duration of the IGBT. As V_{CE-SAT} is significantly lower than the protection threshold V_{REF} , the comparator does not flip over and the protection is not initiated.

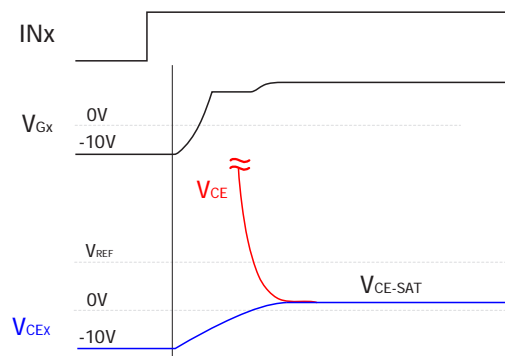


Figure 15. V_{CEx} signal waveform at normal turn-On

Class I Short-Circuit Protection:

When Class I short circuit (bridge shoot-through) occurs, due to the rapid increase of the short circuit current, the IGBT desaturates and result in rapidly increased V_{CE} . C_{Ax} is charged and V_{CEx} rises until it is clamped at V_{ISOx} . During

this process, V_{CEx} exceeds V_{REF} and the comparator's output flips, which consequently triggers the short-circuit protection.

The short-circuit protection logic turns off the IGBT immediately to ensure its safety. At the same time, set fault signal is sent to the primary side to pull down the SOx pin, so as to alert a fault state. The channel is locked in fault state for a period t_B before recovering to the normal state. The protection circuits of the two channels are independent from each other. Therefore, when short-circuit protection is initiated on one channel, the other channel remains operating normally. It is recommended to check the SOx signal timely and activate system lockout when necessary.

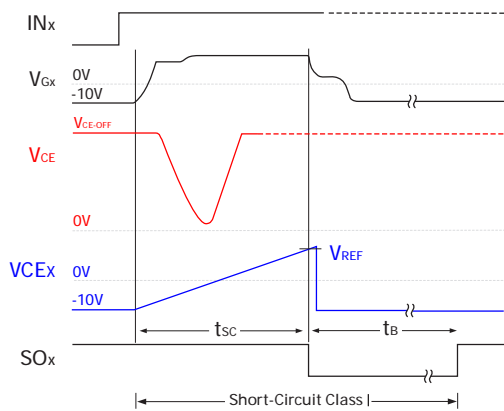


Figure 16. Logic of class I short-circuit protection

Class II Short-Circuit Protection:

When a Class II short circuit (e.g. phase to phase short circuit) occurs, the current ramps up slowly as the short circuit impedance is relatively high. The IGBT still enters saturation state normally. As the short-circuit current increases, V_{CE} increases gradually until it exceeds the protection threshold, then the driver initiate short-circuit protection. The response time in Class II short-circuit protection is longer than that of Class I.

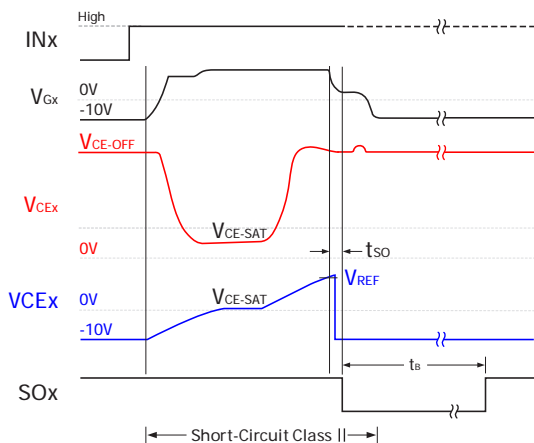


Figure 17. Logic of class II short-circuit protection

In another case, If bridge shoot-through occurs under low DC-link voltage, the short circuit current is low and also resulting in increased protection response time.

Note: When a Class II short circuit occurs, the short circuit impedance varies greatly, which leads to uncertain timing of IGBT desaturation. Therefore, before the protection is initiated, the IGBT may have been already damaged by a considerable sum of heat accumulated. In this case, the driver's short-circuit protection cannot guarantee the intactness of the IGBT. Extra overcurrent protection measures have to be introduced.

Soft Shut Down

Due to the stray inductance, excessive voltage spikes are generated when the short-circuit of IGBT is turned off. In order to suppress voltage spikes without affecting the speed of turn-off during normal operating, it is necessary to deploy soft shut down function.

The secondary-side ASIC chip on the secondary-side of the driver has an embedded shut down function. When fault condition is detected, soft shut down function is activate to protect the IGBT.

The mechanism is described below:

- 1) When fault is detected (short circuit or undervoltage), the Q_{ON} is turned off immediately by the protection function, while Q_{OFF} remains off, thus the gate voltage of the IGBT is unchanged.
- 2) An internally generated voltage reference V_{REF_SSD} drops with a pre-defined slope. As the gate voltage is unchanged, there is a difference between V_{GH} and V_{REF_SSD} , thus the hysteresis comparator generates a positive output.
- 3) The Q_{OFF} is turned on by the comparator output, the gate voltage and V_{GH} gradually drop. When V_{GH} drops too fast, so that V_{GH} becomes lower than V_{REF_SSD} , Q_{OFF} is turned off until V_{REF_SSD} falls below V_{GH} . The aforementioned process is repeated.
- 4) In this way, the gate voltage drops with the same trend as V_{REF_SSD} to ensure soft shut down. The soft shut down period is fixed at 2.0 us. When gate voltage drops to 0V, Q_{OFF} is kept on to pull V_{GL} directly to COMx.

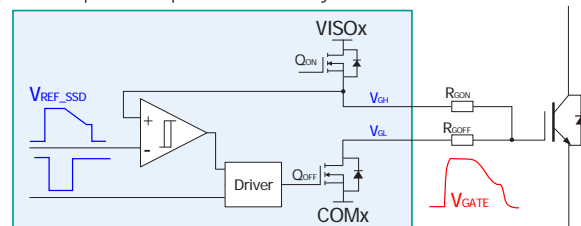


Figure 18. Soft shut down

Mechanical Dimensions

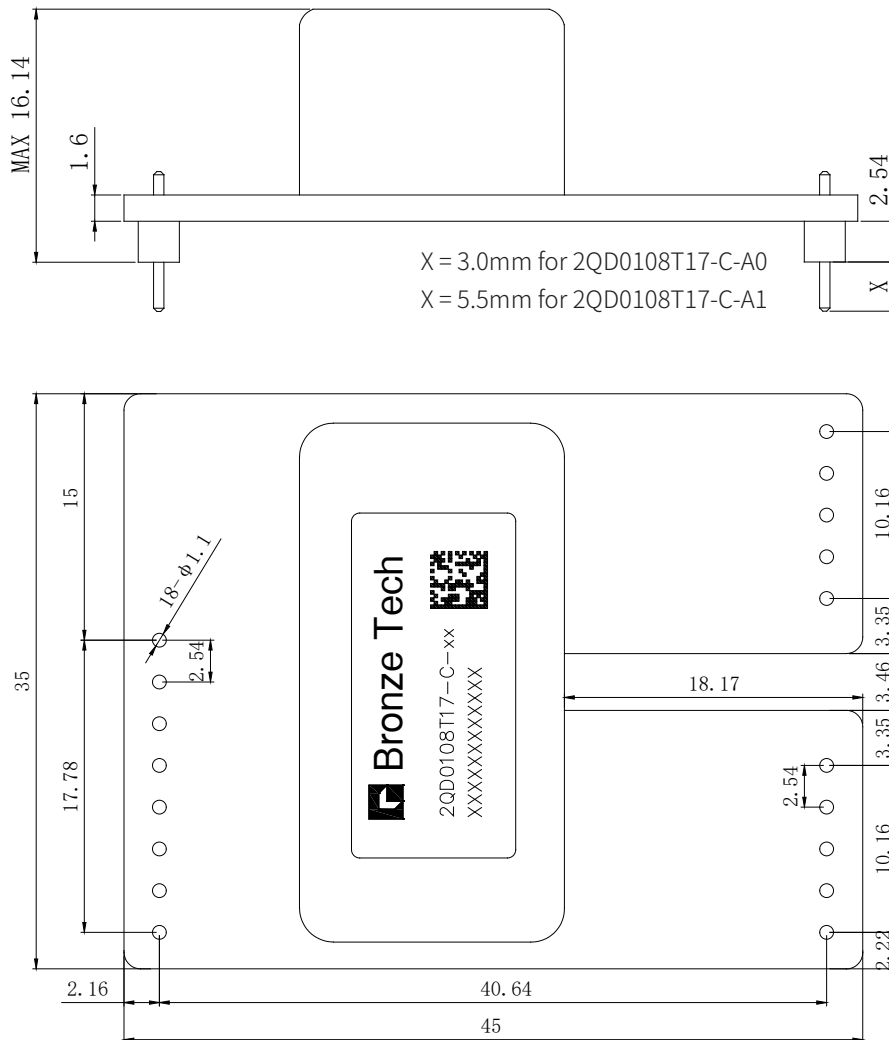


Figure 19. Mechanical drawing of 2QD0108T17-C-xx

Note: 1)Legend unit: mm.

2)The margin tolerance conforms with the ISO 2768-1.

3)The primary side and secondary side pin grid is 2.54mm with a pin cross section of 0.64mmx0.64mm. Recommended diameter of solder pads is 2mm and diameter of drill holes is 1mm.

Revision History

REVISION	NOTES	DATE
V1.0	Initial release	09-Mar-2019
V1.1	The content updated	19-Mar-2019
V1.2	The manual version updated	27-Jun-2019
V1.3	The system block diagrams updated	04-Sep-2019
V1.4	The manual template updated, and the content standardized	20-Aug-2021
V1.5	Part of parameter updated, Active Clamping function increased	07-Mar-2023
V1.6	Part of parameters, figures and function descriptions updated	05-May-2023
V1.7	Figures and ordering information updated	26-Jan-2024
V1.8	Figures and data updated, product diagrams Updated	09-Oct-2024

Precautions

- All operations on the IGBT module and driver shall conform with the electrostatic-sensitive device (ESD) protection requirements stipulated in IEC 60747-1/IX or EN100015.
- To protect ESDs, IGBT module and driver operation, including the operation sites and tools, must conform with these standards.



The IGBT and driver may be damaged due to negligence in ESD protection.

- Before powering on the driver, make sure that the driver and control board are connected correctly, without empty connection, false connection, or false soldering.
- After the driver is installed, its surface voltage to the ground may exceed the safety voltage. Therefore, do not touch it with bare hands.



Operations may involve life hazards. Be sure to follow the corresponding safety protocols !

DISCLAIMER

The technologies and reliability data (including datasheets), design resources (including 3D models, structure diagrams, and AD models), application notes, application programs, and other design recommendations, tools, safety information and resources provided by Bronze Technologies do not constitute any guarantees, implicit or explicit, on the delivery, function, specific usage, applicability, or no infringement on a third party's intellectual property rights.

These resources are intended for engineers specialized in product development upon Bronze Technologies products, who are fully responsible for:

- 1) Choosing appropriate Bronze Technologies products for your products;
- 2) Design, verification, and testing of your products;
- 3) Ensuring that your products meet applicable requirements.

The data, documents, and resources are subject to regular updates without notification. Please visit BronzeTechnologies' website www.qtjtec.com or WeChat official account for the latest resources.

You are authorized to use the resources only when you use the corresponding Bronze Technologies products, and however are prohibited from replicating or demonstrating these resources in other means. These resources do not constitute authorization of intellectual property rights of Bronze Technologies or a third party to any party.

Bronze Technologies assumes no liability in any claims, damages, losses, or costs incurred during your use of these resources and is entitled to recovery of losses caused by infringement of intellectual property rights.

Bronze Tech Group | Shenzhen Bronze Technologies Ltd.

Website: www.qtjtec.com
Technical Support Tel.: +86 0755 33379866
Technical Support Email: support@qtjtec.com



Scan QR code to enter
Bronze website.